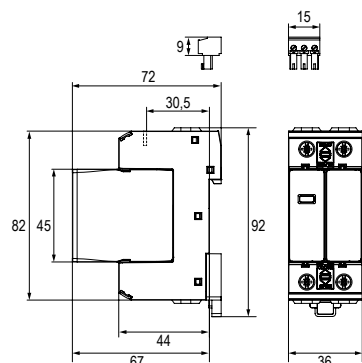


## Type 2 20 kA

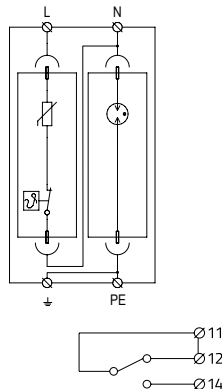
# ESPAC V T2 20/275 1+1

## ESPAC V T2 20/275 1+1 RI

## DIMENSIONS \*




## CIRCUIT DIAGRAM



\* All dimensions in mm

## TECHNICAL DATA

Name	ESPAC V T2 20/275 1+1	ESPAC V T2 20/275 1+1 RI
Catalog Number	12210201080	12210201180
$U_n$ Nominal voltage		230 V AC
$U_c$ Maximum operating voltage L-N		275 V AC
$U_c$ Maximum operating voltage N-PE		255 V AC
$I_n$ Nominal discharge current (8/20 $\mu$ s) L-N		20 kA
$I_n$ Nominal discharge current (8/20 $\mu$ s) N-PE		20 kA
$I_{max}$ Maximum discharge current (8/20 $\mu$ s) L-N		40 kA
$I_{max}$ Maximum discharge current (8/20 $\mu$ s) N-PE		40 kA
$U_p$ Voltage protection level at 5 kA L-N		0,9 kV
$U_p$ Voltage protection level L-N		1,35 kV
$U_p$ Voltage protection level N-PE		1,5 kV
$U_p$ Voltage protection level L-PE		1,5 kV
$I_{fi}$ Ability to independently switch off the following current N-PE		0,1 kA
$I_{SCCR}$ Short-circuit current rating		50 kA
$t_a$ Response time L-N		25 ns
$t_a$ Response time N-PE		100 ns
Maximum overcurrent protection		160 A gL/gG
Cross-section of connected conductors solid (min/max)		1 mm <sup>2</sup> / 35 mm <sup>2</sup>
Cross-section of connected conductors stranded (min/max)		1 mm <sup>2</sup> / 25 mm <sup>2</sup>
Fault indication L-N		red indication field
Fault indication N-PE		no
Remote indication	-	potential-free change-over contact
Remote indication contacts	-	250 V / 0,5 A AC, 250 V / 0,1 A DC
Cross-section of remote indication conductors	-	1,5 mm <sup>2</sup>
Degree of protection		IP 20
Range of operating temperatures (min/max)		-40 °C ... +80 °C
Humidity		5 - 95 %
Mounting		DIN rail 35 mm
According to standard		EN 61643-11:2012, IEC 61643-11:2011
Certifications:		 VDE Certification

## DEVICE CHARACTERISTICS

- ▶ Varistor and encapsulated spark gap as executive elements, connected in the 1+1 mode.
- ▶ Varistor surge arrester in two-pole versions with a modular width of 36 mm.
- ▶ Provided protection against surges resulting from indirect lightning strikes – homes, offices or industrial buildings, recommended for use in main or sub-distribution boards of a building.
- ▶ Dedicated for TT and TN network systems.
- ▶ Optical indicator informing about the device status: green - functional, red - replace.
- ▶ Possibility of installing the surge protective device in two positions on a TH 35 rail.
- ▶ Replaceable modules.
- ▶ Possibility of feeding to the power terminals with a cable or a rail - prong or fork type.